

**Architects**  
**Supplemental Instructions**

**Project:**

*Rifle Fire Protection District  
Fire Station #3  
416 Last Chance Drive  
Rifle, CO 81650*

**Architect's Supplemental  
Instruction NO: 8**

**Owner:**

*Rifle Fire Protection District  
1850 Railroad Ave.  
Parachute, CO 81635*

**Date of Issuance:** December 07, 2009

**To Contractor:**

*Kuersten Construction LLC  
0013 Powerline Road  
Rifle, CO 81650*

**Architect:**

*Johnson-Carter Architects, PC.  
136 East Third Street; Suite B  
Rifle, CO 81650*

**Contract For:**

*Design Services*

**Architect's Project NO:**

*0808F*

**Contract Dated:**

*Nov. 20, 2008*

---

The Work shall be carried out in accordance with the following supplemental instructions issued in accordance with the Contract Documents without change in Contract Sum or Contract Time. Proceeding with the Work in accordance with these instructions indicates your acknowledgement that there will be no change in the Contract Sum or Contract Time.

**Description:**

*Refer to the attached sheet for additional information on the building signage*

**Attachments:**

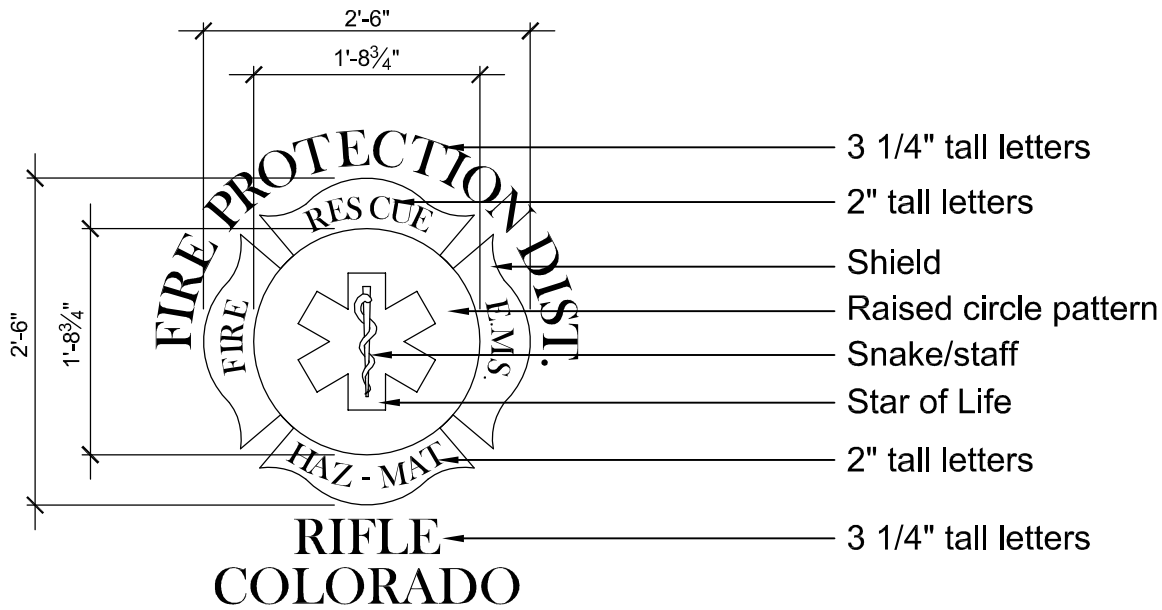
*Building Signage*

---

**Issued By:**

*Richard Carter (Owner/Architect)*

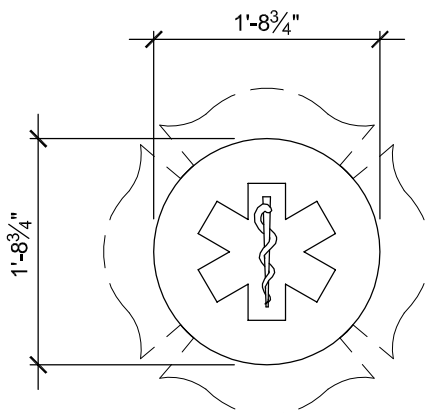
**Architect**



Overall View



Bottom layer



Top Layer

Use font style 'Friz Quadrata' through-out

2" tall black stainless steel letters to be surface mounted to the shield. Letters to follow the arc of the radius.

Shield to be surface mounted to the face of the finished wall

All materials to be stainless steel

3 1/4" tall black stainless steel letters (above and below the shield) to be surface mounted to the face of the finished wall. Letters to follow arc of the shield.

Star of Life to be cut out from the 1'-8 3/4" diameter circle (negative image). 1'-8 3/4" diameter circle to be pedestal mounted to shield below (mount so circle is 1" above shield).

Snake/staff to be pedestal mounted to shield below (so it sits flush with the 1'-8 3/4" diameter circle). Staff only to have black finish.