

Request for Information

Contractor: Kuersten Construction
Address: 0013 Powerline Road
City, State: Rifle Colorado
Zip: 81650
Phone: 970-625-8210

A/E: Johnson & Carter Architects
Address: 136 East 3rd Street Suite B
City, State: Rifle, Colorado 81650
Zip: 81650
Phone: 970-625-0580

Project: RFPD Fire Station #3
RFI Number: 48
Date: 10/12/2009

RFI DESCRIPTION: (Fully describe the question or type of information requested.)

Do we need to install a deck support at the ends of the decking that decks the roof structure over the day room? Also in this roof structure the W12x30 top flange goes into the roof decking plane, can we cut and fit the decking on both sides of this beam to the new deck supports?

REFERENCES: (List specific documents when seeking the information requested.)

SPECIFICATIONS:

DRAWINGS:

OTHER:

SENDER'S RECOMMENDATION:

We recommend using 1/2" x 8" flat bar spanning from center beam in roof structure to outer beams of roof structure. This flat bar would then be welded to the webs of the big beams running north and south.

RECEIVER'S REPLY: (Provide answer to RFI, including cost and/or schedule considerations.)

SEE ATTACHED DETAIL.

BRANDON ANDERSON
ODDO ENGINEERING
10-13-09

ODDO ENGINEERING, INC.

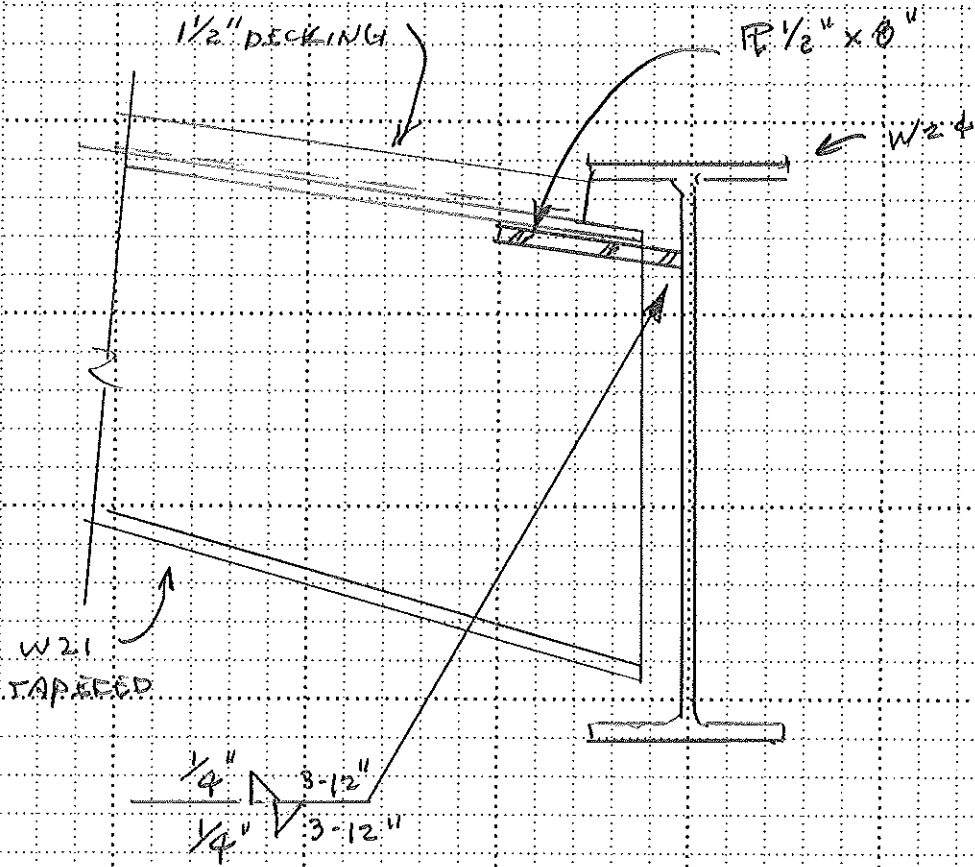
710 Cooper Avenue, Suite 200
Glenwood Springs, CO 81601
(970) 945-1006 Fax 945-2977

Job Title RIFLE FIRE Job No. 2805-01

by LKA date 10-12-07 ck'd by _____ date _____

Subject DECK SUPPORT page _____ of _____

D STALLS



ROOF DECK SUPPORT @ CLEAR STORY